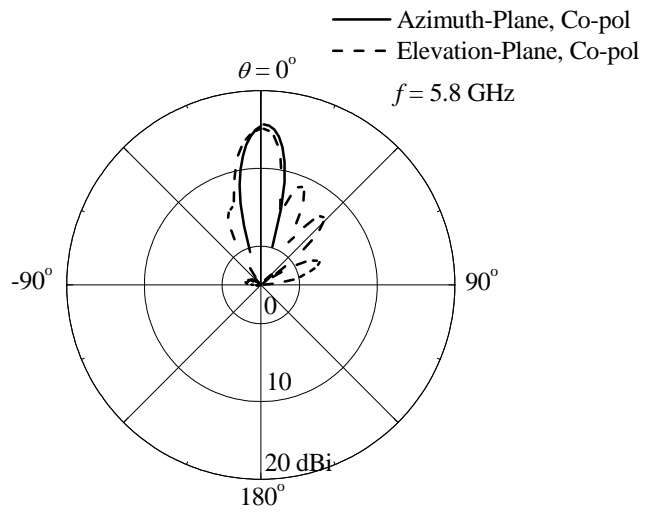
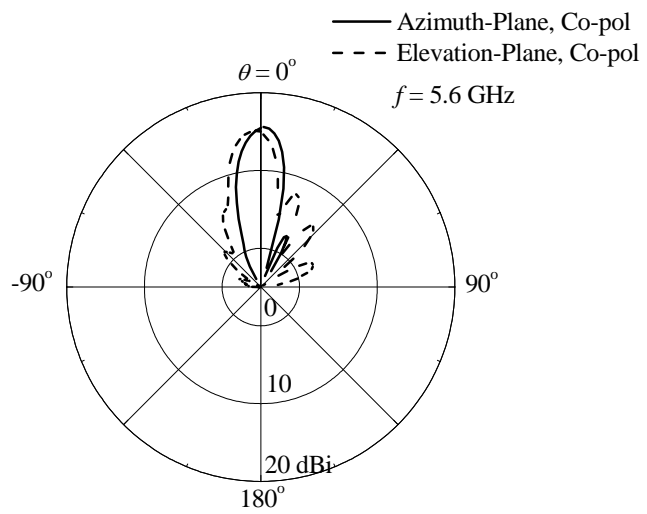


Specification Sheet	
2.4 GHz Grid Antenna Array	
Frequency	2.4–2.5 GHz
Gain	14 dBi
Polarization	Dual-polarized
Port(s)	2
Connector(s)	SMA
3dB Beamwidth Azimuth	30°
3dB Beamwidth Elevation	30°
Dimension	250×250×5 mm
Front-to-Back Ratio	>25 dB
Return Loss & Isolation	
Radiation Patterns	

Specification Sheet	
5 GHz Grid Antenna Array	
Frequency	5.45–5.85 GHz
Gain	16 dBi
Polarization	Dual-polarized
Port(s)	2
Connector(s)	SMA
3dB Beamwidth Azimuth	18°
3dB Beamwidth Elevation	18°
Dimension	250×250×5 mm
Front-to-Back Ratio	>25 dB
Return Loss & Isolation	<p style="text-align: center;"> Return Loss, S_{11} Return Loss, S_{22} Isolation, S_{21} Isolation, S_{12} </p>
Radiation Patterns	<p style="text-align: center;"> Azimuth-Plane, Co-pol Elevation-Plane, Co-pol <i>f</i> = 5.4 GHz </p>



Specification Sheet	
2.4 GHz Dual-Polarized WPP Antenna	
Frequency	2.4–2.5 GHz
Gain	8 dBi
Polarization	Dual-polarized
Port(s)	2
Connector(s)	iPEX
3dB Beamwidth Azimuth	60°
3dB Beamwidth Elevation	60°
Dimension	107×155×5 mm
Front-to-Back Ratio	>25 dB
Return Loss & Isolation	<p style="text-align: center;"> Return Loss, S_{11} Return Loss, S_{22} Isolation, S_{21} Isolation, S_{12} </p>
Radiation Patterns	<p style="text-align: center;"> Azimuth-Plane, Co-pol Elevation-Plane, Co-pol <i>f</i> = 2.45 GHz </p>

Specification Sheet	
5 GHz Dual-Polarized WPP Antenna	
Frequency	5.45–5.85 GHz
Gain	13 dBi
Polarization	Dual-polarized
Port(s)	2
Connector(s)	iPEX
3dB Beamwidth Azimuth	30°
3dB Beamwidth Elevation	20°
Dimension	107×155×5 mm
Front-to-Back Ratio	>25 dB
Return Loss & Isolation	<p style="text-align: center;"> Return Loss, S_{11} Return Loss, S_{22} Isolation, S_{21} Isolation, S_{12} </p>
Radiation Patterns	<p style="text-align: center;"> Azimuth-Plane, Co-pol Elevation-Plane, Co-pol <i>f</i> = 5.4 GHz </p>

